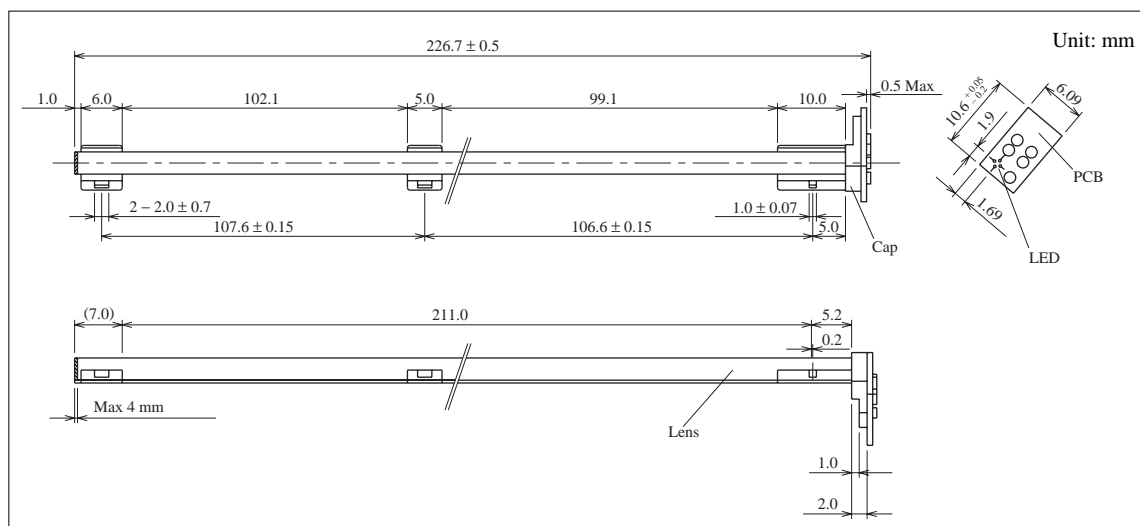


## A4 Size LNR304803N

Global Parts No. LNR304803N

■ 絶対最大定格 Absolute Maximum Ratings ( $T_a = 25^\circ\text{C}$ )

項目	Item	Symbol	定格 Rating	Unit
準方向電流	Supply Voltage for LED	$I_F$	46.0	mA
逆方向電圧	Reverse Voltage	$V_R$	16.0	V
動作周囲温度	Operating Ambient Temperature	$T_{opr}$	- 10 ~ + 50	$^\circ\text{C}$
保存温度	Storage Temperature	$T_{stg}$	- 30 ~ + 75	$^\circ\text{C}$

## ■ 推奨動作条件 Recommendable Operating Conditions

項目	Item	Symbol	定格 Rating	Unit
準方向電流	Supply Voltage for LED	$I_F$	40.0	mA
動作周囲温度	Operating Ambient Temperature	$T_{opr}$	0 ~ + 40	$^\circ\text{C}$

■ 電気的光学的特性 Electro-Optical Characteristics ( $T_a = 25^\circ\text{C}$ )

項目	Item	Symbol	Condition	min	typ	max	Unit
有効照明長	Effective Illumination Length	L	$I_F = 40 \text{ mA}$	211			mm
原稿面照度	Illuminance on Manuscript	E	$I_F = 40 \text{ mA}$		100		Lx
照度偏差	Range of Collecting and Spreading Light	$\Delta \text{EH}$	$I_F = 40 \text{ mA}$				%
ピーク発光波長	Peak Emission Wavelength	$\lambda_P$	1chip $I_F = 20 \text{ mA}$		570		nm
スペクトル半値幅	Spectral Band Width	$\Delta \lambda$	1chip $I_F = 20 \text{ mA}$		30		nm

